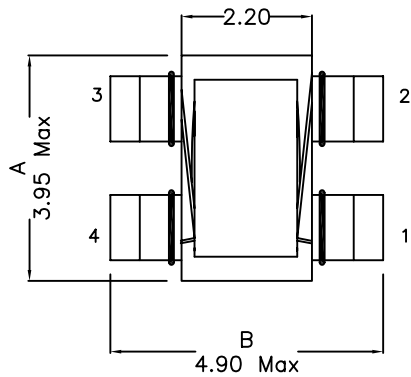
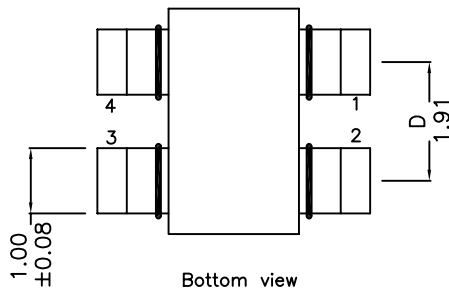
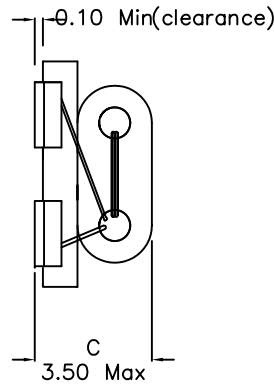


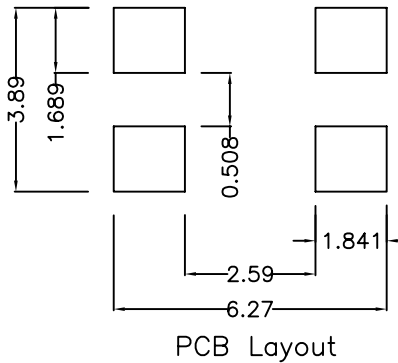
1. Mechanical Dimensions:



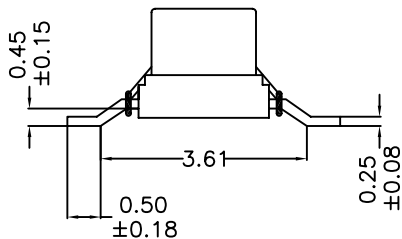
Top view



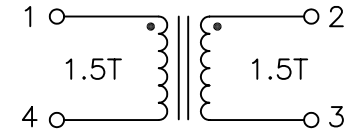
Bottom view



PCB Layout



2. Schematic:



3. Electrical Specifications: @25°C

DCR: 8 mOhms Max, each wdg

12 mOhms Max, each wdg. -40°C to +85°C

Impedance: 60 Ohms Typ, @100MHz

80 Ohms Typ, @500MHz

Current Rated: 5.0A

HIPOT: 100Vac, Wdg to Wdg, 2Sec

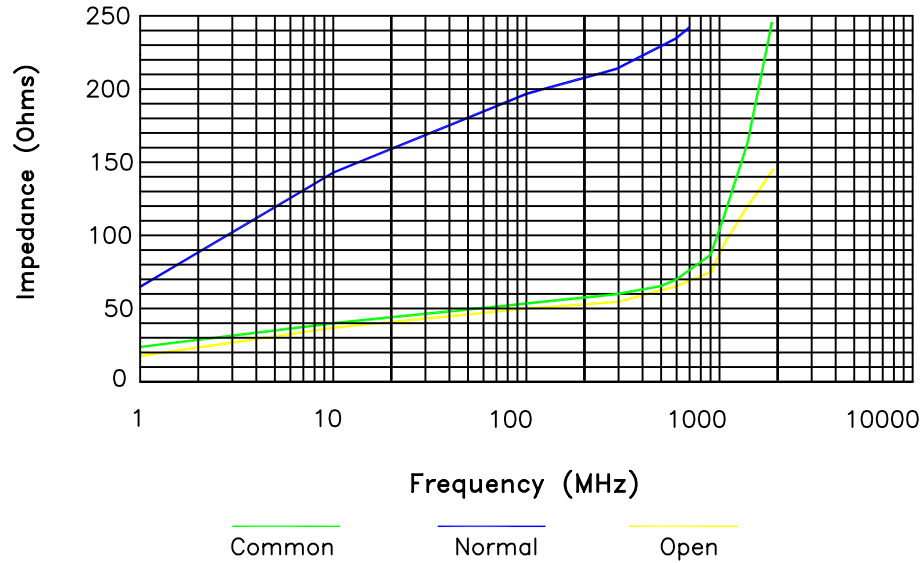
Notes:

- Solderability: Leads shall meet MIL-STD-202G, Method 208H for solderability.
- Flammability: UL94V-0
- ASTM oxygen index: > 28%
- Insulation System: Class F 155°C. UL file E151556
- Operating Temperature Range: All listed parameters are to be within tolerance from -40°C to +85°C
- Storage Temperature Range: -55°C to +125°C
- Aqueous wash compatible
- SMD Lead Coplanarity: ±0.004" (0.102mm)
- Electrical and mechanical specifications 100% tested
- RoHS Compliant Component (260°C IR Reflow Compatible)
- Plating Material : Sn99.5/Cu0.5

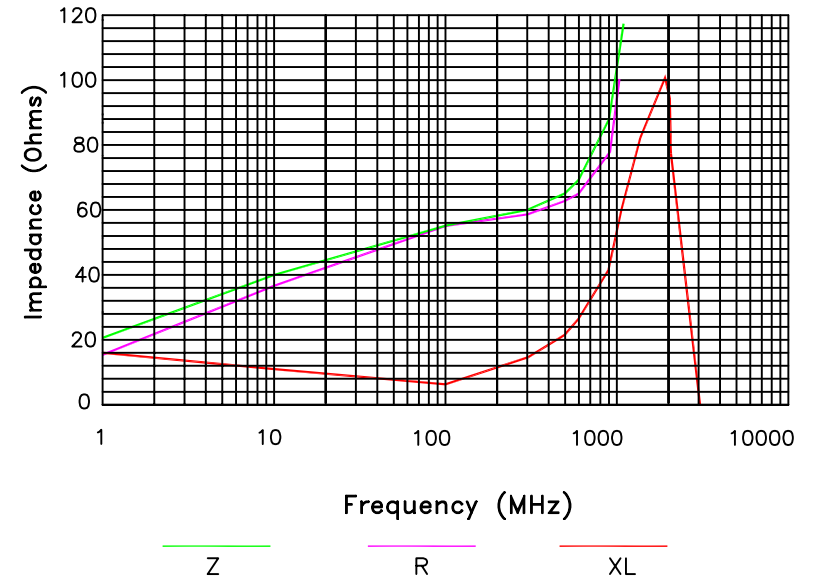
XFMRs Inc www.XFMRs.com	Title: Common Mode Choke		
	UNLESS OTHERWISE SPECIFIED	P/N: XFWB1.5-600	REV. A
TOLERANCES: .xx ±0.25	DWN.	Feng	Jun-21-12
Dimensions in MM	CHK.	YK Liao	Jun-21-12
SHT 1 OF 2	APP.	BW	Jun-21-12

DOC. REV: A/1

Z vs. FREQUENCY(C,N,O)



Z,R,XL vs.FREQUENCY



DOC. REV: A/1

XFMRs Inc www.XFMRS.com	Title: Common Mode Choke		
	UNLESS OTHERWISE SPECIFIED	P/N: XFWB1.5-600	REV. A
TOLERANCES: .xx ±0.25	DWN.	Feng	Jun-21-12
Dimensions in MM	CHK.	YK Liao	Jun-21-12
SHT 2 OF 2	APP.	BW	Jun-21-12